



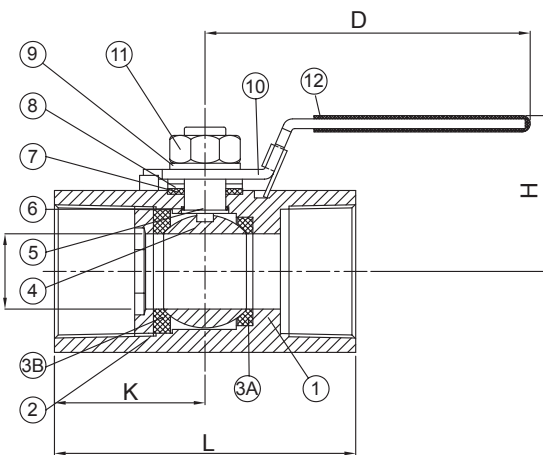
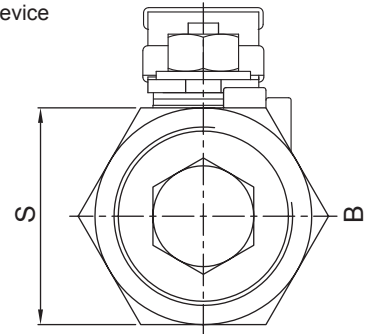
1000WOG/ PN 63

SIZE: 1/4"-2"

Specification

- For chemical and industrial applications
- Blow-out proof stem design
- 100% air tested under water at 80-100 psi
- Working pressure: 1000 psi WOG / PN63
- Temperature range -60°F to 450°F
- End type: threaded BSPT / NPT

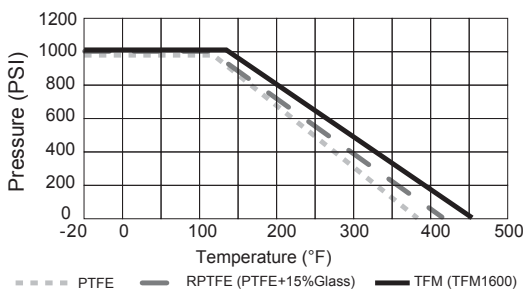
Complete with : locking device



Standard Material Specifications

No.	Part Name	Materials
1	Insert	CF8M
2	Body	CF8M
3A	Seat	TFM1600
3B	Seat	TFM1600
4	Ball	CF8M
5	Stem	SS 316
6	Thrust Washer	TFM1600
7	Stem Packing	TFM1600
8	Gland Washer	SS 304
9	Washer	SS 304
10	Handle	SS 304
11	Nut Stopper	SS 304
12	Sleeve	PLASTIC

PRESSURE TEMPERATURE RATINGS



Dimensions (mm)

Size	B	H	D	L	S	K	W(kg)	Alpha Code	
								BSPT	NPT
1/4"	5	38	62.5	39	17	19	0.07	V24E047001	V24E047021
3/8"	7	40	73	44	21	21	0.11	V24E047002	V24E047022
1/2"	9.2	51	85	56.5	25	27.5	0.18	V24E047003	V24E047023
3/4"	12.5	53	87	59	32	30	0.26	V24E047004	V24E047024
1"	16	56	107	71	38	36	0.42	V24E047005	V24E047025
1-1/4"	20	61	107	78	49	40	0.75	V24E047006	V24E047026
1-1/2"	25	68	130	83	53	42.5	0.85	V24E047007	V24E047027
2"	32	73	130	100	65	51	1.35	V24E047008	V24E047028

*last updated 03/16