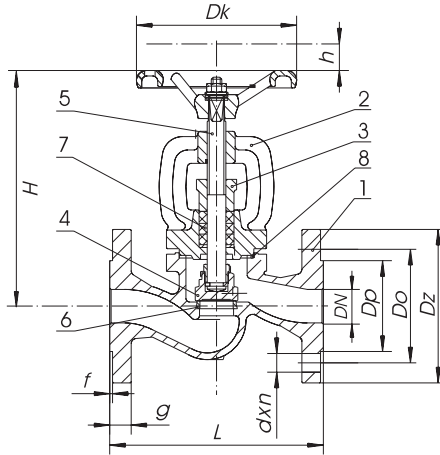




Fig. 215 / 218 / 450



- High tightness
- Hydraulic test acc. to pr EN 12266-1
- Face-to-face length acc to DIN 3202-F1
- Flange drilling acc. to DIN 2501

Figure	Nom. pressure	Material	Nom. diameter
215	PN 16	GG-25	DN 15-300
215C01	PN 16	GGG-40.3	DN 15-350
215C01	PN 25	GGG-40.3	DN 15-150
218	PN 40	1.0619+N	DN 32-200
450	PN 40	C22.8	DN 15-25

**Selection of possible application**

- Steam
- Powerstations
- Flue gas purification plant
- Vapour facilities
- Industrial cold and hot water
- Recycling facilities
- Shipbuilding
- General plant manufacturing

Dimension and kv values															
	DN	15	20	25	32	40	50	65	80	100	125	150	200	250	300
	L		130	150	160	180	200	230	290	310	350	400	480	600	730
H	H of 215	167	167	175	186	235	248	260	291	338	384	429	529	638	710
	H of 218/450	186	186	186	250	265	280	305	325	360	450	515	640	---	---
Dk	Dk of 215	100	100	120	120	160	160	180	200	250	250	320	360	360	500
	Dk of 218/450	120	120	120	160	160	200	200	250	320	320	320	400	---	---
Kv-values	215	5.9	7.4	13.0	18.0	30.0	41.0	79.0	115	181	225	364	690	1010	---
	218/450	2.6	5	7	19	31	42	71	125	190	265	350	600	---	---
Weight (kg)	215	3.3	3.9	5.0	6.6	8.4	12.0	17.3	22.7	35.8	52.8	74.2	126	200	315
	218/450	4.0	4.3	4.9	11.3	13	18	26	35	52	67	86	151	---	---

Material (iron type)				
Figure	215	215C01	218	450
Part	Cast Iron		Cast Steel	Forged Steel
1	GG-25 (0.6025)		GS-C25 (1.0619+N)	C22.8 (1.0460)
6	X 12 Cr 13 (1.4006)		padding weld SGX5CrNiNb 19-9 or stellite (1.4551)	X20Cr N172 (1.4057)
2	GG-25, (0.6025)	GGG-40.3 (0.7043)	DN ≤ 50: C22.8, (1.0460) DN > 50: GS-C25 (1.0619)	C22.8 (1.0619+N) (1.0460)
4	X20Cr13 1.4021		DN 32-50:X10Cr13 (1.4006) DN 65-80:X20Cr14 (1.4027G) DN 100-250:C22 (1.0402)+padding weld CrNi 19-9	X 30 Cr 13 1.4028
5	X 20 Cr 13, (1.4021)			
7	All graphite			
3	DN 15-32:GGG-50 DN 40-300:GG-25	GGG-40.3	St 44-2 DIN 17100	
8	All-graphite with CrNi Steel input Material			

\* max. operating temperature: 300 °C for 215 A00, 350 °C for 215C01 and 425 °C for 218 & 450

Pressure-temperature-classification								
Material	PN	-10°C	120°C	200°C	250°C	300°C	350°C	400°C
GG-25	16	16 bar	16 bar	12.8 bar	11.2 bar	9.6 bar	---	---
GGG-40.3	16	16 bar	16 bar	14.7 bar	13.9 bar	12.8 bar	11.2 bar	---
GGG-40.3	25	25 bar	25 bar	23 bar	21.8 bar	20 bar	17.5 bar	---
1.0619 / C22.8	40	40 bar	40 bar	35 bar	32 bar	28 bar	24 bar	21 bar