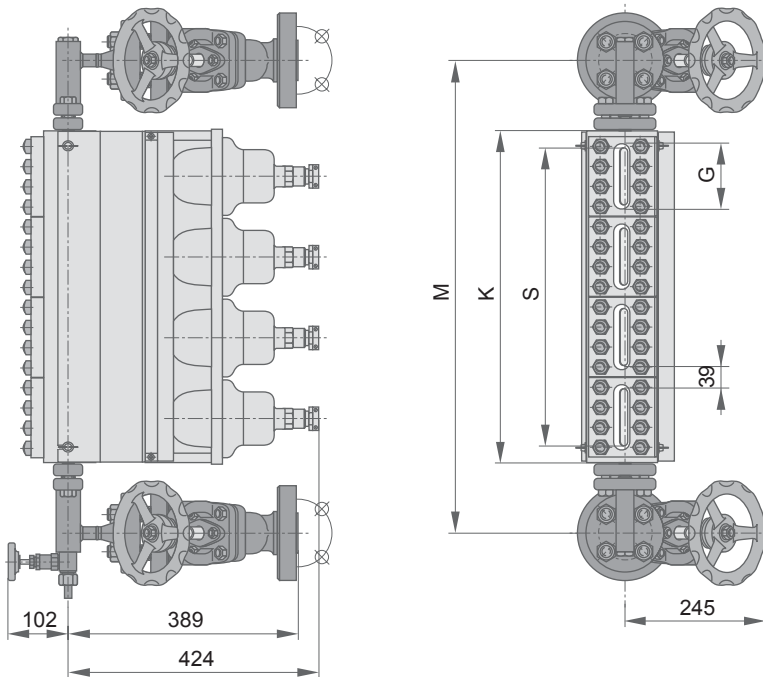




KTA-DVK 2



KTA

PN 315

180 bar

355,5 °C

Saturated Steam

Nominal pressure:

PN 315, 180 bar
355,5 °C saturated steam
with gauge valve DVK 2
Construction to KLINGER
material code FS/H

Gauge glass:

Klinger Transparent glass TA 28
material Borosilicate
Mica shield TA 28
Illuminator IP 65
with red/green indication for direct observation or by
mirrors, and for TV transmission

Connection

gauge body – gauge cock

Rotatable (360°)

Connecting piece with flanges. Seal between gauge
and connecting piece: joint ring.

Connection construction

End connection with gauge valves DVK 2
(see illustration). Safety ball in the upper and lower
shut-off fitting.

Vessel connection with flanges or male thread
available to all recognized standards.

Weight: Gauge valve set with DN 25
flanges approx 44 kg.

**Torque for gauge bolts 150 Nm, cold 120 Nm
under working conditions.**

For gauge body and gauge valve part lists,
dimensions of glasses and material specifications
see pages 12 and 39.

Suggested order specification Bi-colour level gauge PN 315

red/green indication
KLINGER material code FS/H
Gauge glass Borosilicate
thermally prestressed
Connection gauge body – shut off
fittings rotatable
Shut-off fittings gauge valves
with safety balls

Ordering example:

KTA-DVK 2, 3 x I, FS/H
DN 25 / PN 315
M= 600 mm

Overall and connection dimensions (mm)

Gauge size	Centre-to-centre distance M min	Body length K	Sight length S	Glass length G	Approx. weight of gauge (kg)
2 x I	423	290	233	113	24
3 x I	559	426	369	113	36
4 x I	695	562	505	113	48
5 x I	831	698	641	113	60
6 x I	967	834	777	113	72

The maximum centre-to-centre distance $M_{max}=M_{min}+116$