



2-Way Control Valves type L1S

## Applications

Regulating valves type L1S are designed for regulating low, medium and high pressure hot water, steam and lubricating oils.

The valves are installed combined with temperature or pressure differential regulators in control systems for heating or domestic premises, district heating, industrial processes or marine installations.

## Function

Without the actuator being connected, the valve is held in open position by means of a spring. With pressure on the spindle the valve will close.

In connection with our thermostats or electronic actuators, the valves will close at rising temperatures. For cooling circuits a reverse acting valve can be used.

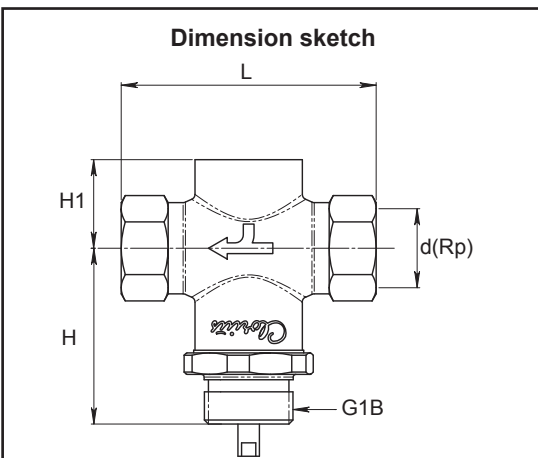
The quadratic characteristic will not cease, until the flow has dropped below 4 % of the full flow.

## Design

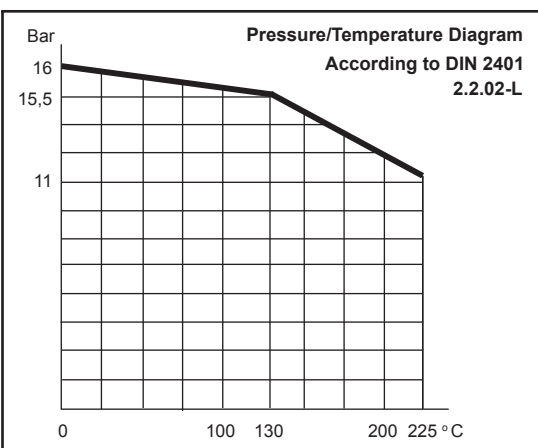
The valve components - spindle, seats and cone - are made of stainless steel. The valve body is made of gun metal RG 5. The thread for the actuator connection is G1B ISO 228.

The valves are single seated and designed for tight closure.

The leakage rate is less than 0.05% of the full flow (according to VDI/VDE 2174). To obtain an approximate, linear transfer performance, for use in systems with standard existing heat exchangers and pumps, the valve characteristic is made quadratic.



Type	L mm	H mm	H1 mm	d
15L1S	85	65	26	Rp 1/2
20L1S	95	67	32	Rp 3/4



## Technical Data Material

No.	Description	Materials
1	Valve Body	Gun metal RG 5
2	Component	Stainless steel
3	Norminal Pressure	PN 16
4	Seating	Single seated
5	Valve Characteristic	Quadratic
6	Leakage	≤ 0.05% of $k_{vs}$

## Specifications

Type	Connection threads	DN mm	Opening mm	$k_{vs}$ - value $m^3/h$	Lifting height mm	Weight kg
15L1S	Rp 1/2	15	15	2.75	6	0.7
20L1S	Rp 3/4	20	20	5.00	7	0.8

\*last updated 03/16