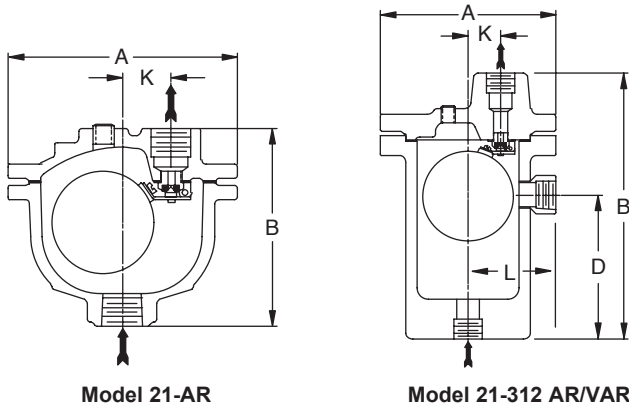




Fixed Pivot Ball Float Air/Gas Vents

For Pressures to 600 psig (41 bar) or Specific Gravity Down to 0.83



21-AR—A small, high-quality economical air vent. It employs a single lever with a fixed pivot and viton seat, ensuring a tight shut-off.

For a fully detailed certified drawing, refer to CD #1037.

21-312 AR/VAR —Forged steel version of the Model 21 with a larger float and higher leverage. Available with screwed, socketweld or flanged connections.

For a fully detailed certified drawing, refer to CD #1106.

Physical Data				
Model No.	Cast Iron		Forged Steel	
	21-AR		21-312 AR/VAR	
Pipe Connections	in	mm	in	mm
"A"	1/2, 3/4	15, 20	1/2, 3/4	15, 20
"B"	6-3/16	157	6-3/4	171
"D"	5-1/4	133	10-1/4	260
"K"	-	-	5-9/16	141
"L"	1-5/16	33	1-1/4	32
"L"	-	-	3-5/16	84
Approximate Weight, lb (kg)	8 (4)		30 (14)	
Maximum Allowable Pressure (Vessel Design)	250 psi @ 450°F** (17 bar @ 232°C**)		600 psig @ 100°F (41 bar @ 38°C) 500 psig @ 750°F** (34 bar @ 399°C**)	

**Viton valve seat insert limited to 400°F (204°C).

21-AR Maximum Operating Pressures				
Minimum Specific Gravity	0.49		0.84	
Float Weight, oz (g)	2.25 (64)		4.12 (118)	
Orifice (in)	Maximum Operating Pressure			
	psi	bar	psi	bar
7/32	17	1.2	-	-
3/16	23	1.6	-	-
5/32	33	2.3	-	-
9/64	41	2.8	-	-
1/8	52	3.6	-	-
3/32	92	6.4	-	-
5/64	133	9.2	-	-
1/16	208	14	-	-
1/16	-	-	250	17

21-312 AR/VAR Maximum Operating Pressures			
Model	Minimum Specific Gravity	0.83	
	Float Weight, oz (g)	5 (143)	
Orifice (in)	Maximum Operating Pressure		
	psi	bar	
21-312AR	1/4	22	1.5
	7/32	28	1.9
	3/16	38	2.7
	5/32	55	3.8
21-312VAR	9/64	68	4.7
	1/8	173	12
	3/32	308	21
	5/64	443	31
	1/16	600	41

List of Materials							
Model No.	Valve	Seat	Leverage System	Float	Body & Cap	Gasket	Bolting
21-AR	Stainless Steel	Stainless Steel with *Viton Insert	Stainless Steel	Stainless Steel	ASTM A48 Class 30 Cast Iron	Non-Asbestos	Bolts SAE Gr. 2 Nuts ASTM A563 Gr. A
21-312 AR 21-312 VAR					ASTM A105 Forged Steel		Bolts and Nuts ASTM B633 Type 1

NOTE: Above vents available in T-316 SS bodies and caps and all SS internals. Aluminum body and cap available for Model 21-AR only.

*Other seat insert materials available. Consult factory.

*last updated 11/15