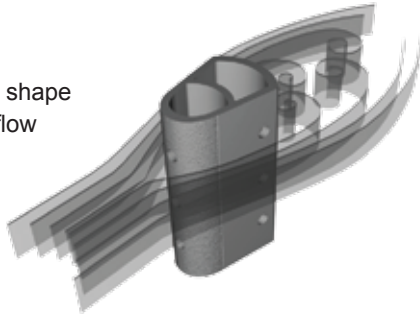


The Most Accurate and Reliable Technology for Measuring Gas, Liquid and Steam

Developed from aerospace technology, the Verabar averaging pitot flow sensor provides unsurpassed accuracy and reliability. With its solid one-piece construction and bullet shape, the Verabar makes flow measurement clog-free and precise.

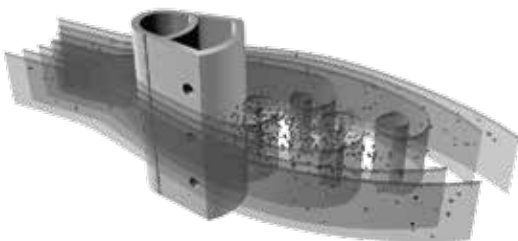
The unique sensor shape reduces drag and flow induced vibration.



And the location of the low pressure ports eliminates the potential for clogging and improves signal stability.

Superior Signal Stability and Greater Resistance to Clogging

Clogging can occur in low pressure ports located in or near the partial vacuum at the rear of the sensor. The Verabar design locates the low pressure ports on the sides of the sensor, forward of the fluid separation point and turbulent wake area. This virtually eliminates clogging and produces an extremely stable signal.



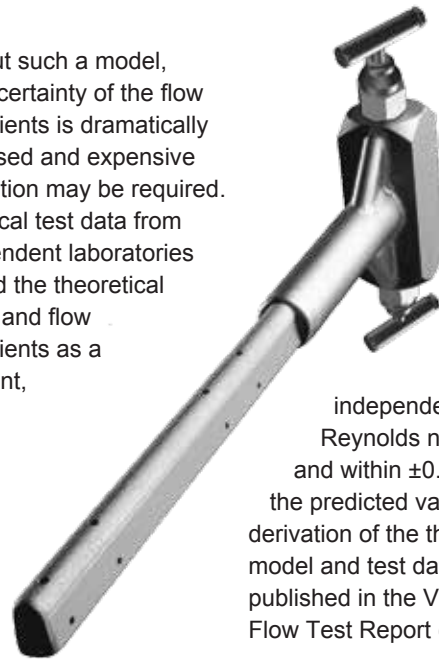
Accuracy You Can Trust And the Data to Back It Up

The unique and exclusive break-through in improved accuracy derived from the development of a **verified theoretical model** predicts the Verabar flow coefficients.

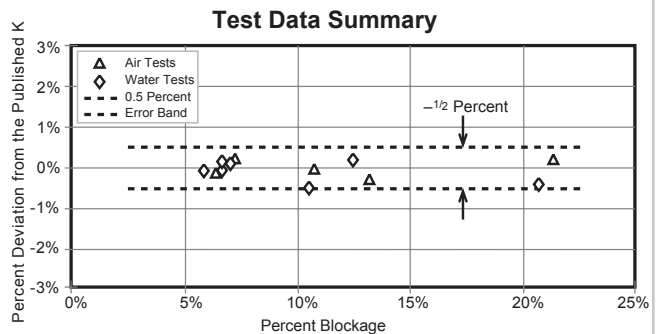
This eliminates the need for calibration tests to characterize the flow coefficients.

$$C = \frac{1}{\sqrt{\left(\frac{1}{1 - C_b \beta_v}\right)^2 + C_\infty}}$$

Without such a model, the uncertainty of the flow coefficients is dramatically increased and expensive calibration may be required. Empirical test data from independent laboratories verified the theoretical model and flow coefficients as a constant,



independent of Reynolds number and within ±0.5% of the predicted value. The derivation of the theoretical model and test data is published in the Verabar Flow Test Report (VED-100).

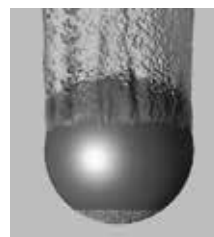


Lower Drag and Extended Turndown

Golf balls fly farther because they have a dimpled surface that lowers aerodynamic drag.

The grooves and roughness on the Verabar's frontal surface apply the same principle. This simple design feature relieves the partial vacuum at the rear of the sensor, reducing the pressure drag. This extends the accuracy and rangeability to very low velocities.

Rough Surface



Smooth Surface



*last updated 11/15

Unique Valve Head

Verabar offers a new concept... built-in valves in the head of the instrument.

This superior design:

- Simplifies installation and maintenance.
- Lowers the connecting hardware cost by reducing the number of fittings.



Spring-Lock... Offers a Superior Mounting Method

This advanced, patented design ensures the sensor remains sealed, locked and pre-loaded to the opposite wall regardless of changes in pipe diameter due to pressure, temperature or mechanical force.

This design has important advantages:

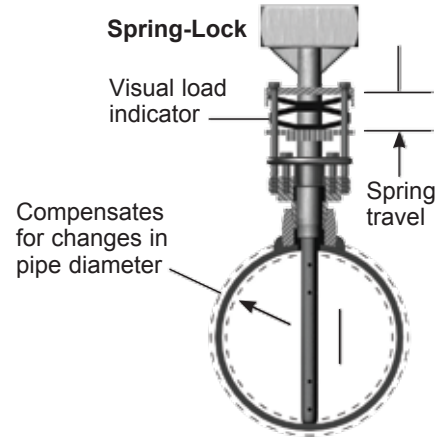
- Fugitive emission and leak prevention... The Spring-Lock continually compensates for the differential in packing and body growth rates due to increased temperature.



Partial Insert

- Designed specifically for high velocity cooling water applications, large diameter pipes, large vertical stacks and buried water lines.
- Extends 1/3 into pipe to reduce procurement and installation costs specifically useful when a hot tap is required.
- Partial Insert hot tap sensors can be inserted/ retracted with no reduction in flow rate.

Spring-Lock



- Increases sensor strength, thereby eliminating the need for an opposite wall support. A locked, pre-loaded sensor is four times stronger than a non-preloaded, cantilevered sensor.
- Other mounting methods do not pre-load the sensor or the packing seal and are subject to increased sensor vibration, metal fatigue, breakage and leakage.

Transmount

A Transmount flow system is the first choice for all liquids; and for gas and steam applications, with slight variations in pressure and temperature.

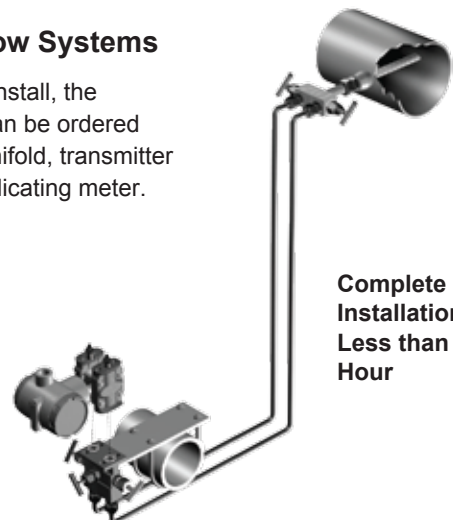


Mass Transmount

A Mass Transmount flow system should be selected on steam and gas applications with variable temperature and pressure.

Field Flow Systems

Ready to install, the Verabar can be ordered with a manifold, transmitter or local indicating meter.



Complete Installation in Less than an Hour

*last updated 11/15



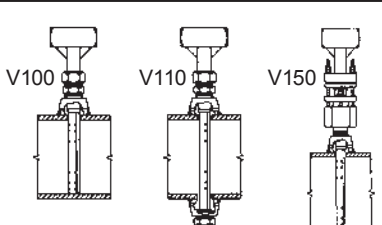
Fast and Easy Model Selection

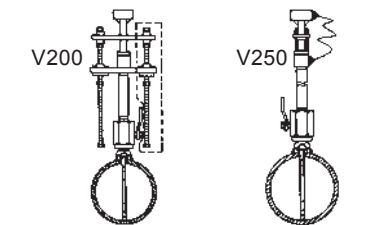
The easy-to-operate Veracalc computer program features:

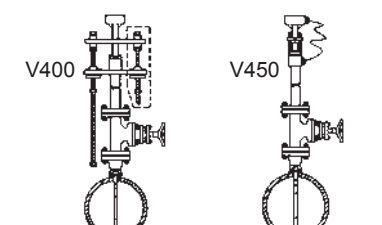
- **Flow Calculations:** DP from flow rate, or flow rate from DP.
- **Model Selection:** Complete model selection from drop down menus.
- **Structural Analysis:** Verifies sensor strength at flowing conditions.
- **Temperature and Pressure Limits:** Error warnings if limits are exceeded.

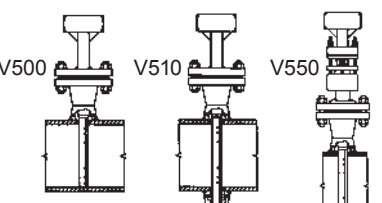
The Veracalc PC program is available from your local representative, the factory or it can be downloaded from our website at armstronginternational.com/veris.

Verabar Model Selector

Regular Models — (Threaded Components)	
Model Number	Type of Mounting
	Tube Fitting V100 (Single Support) V110 (Double Support)
	Spring-Lock V150 (No opposite support required)

Hot Tap Models — (Threaded Components)	
Model Number	Type of Mounting
	Screw Drive V200
	Low Pressure Hand Insertion V250

Hot Tap Models — (Flanged Components)	
Model Number	Type of Mounting
	Screw Drive V400
	Low Pressure Hand Insertion V450

Flanged Models — (Flanged Components)	
Model Number	Type of Mounting
	Flanged V500 (Single Support) V510 (Double Support)
	Flanged Spring-Lock V550 (No opposite support required)

Verabar Applications

The Verabar offers the widest application range of any flow sensor. It accurately measures gas, liquid and steam.

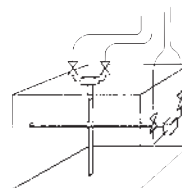
Gas	Liquid	Steam
Natural Gas	Cooling/Chilled water	Saturated
Compressed Air	Boiler Feed Water	Superheated
Combustion Air	De-Mineralized Water	Main Header
Hydrocarbon Gas	Hydrocarbon Liquids	Custody Transfer
Hot Air	Cryogenic	Distribution
Blast Furnace Gas	Thermal Transfer Fluids	Energy Studies

Extended Range Applications

The Verabar's versatile design lends itself to a wide range of applications. Contact Veris application engineering for your special requirements.

High Pressure Design

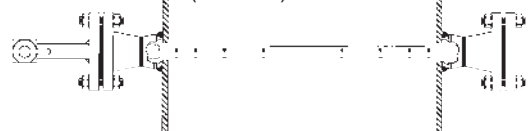
2500# ANSI Class
6000PSI and 1000°F



Square and Rectangular Ducts

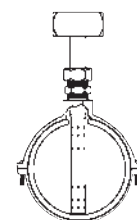
Large Stacks and Ducts

Up to 21 feet
(6 meters)



Specialized Mounting

- PVC
- Concrete
- FRP
- Cast Iron Pipe



*last updated 11/15

Through Accuracy of Measurement, Low Installed and Operating Costs, Verabar Proves its Performance, Efficiency and Value.

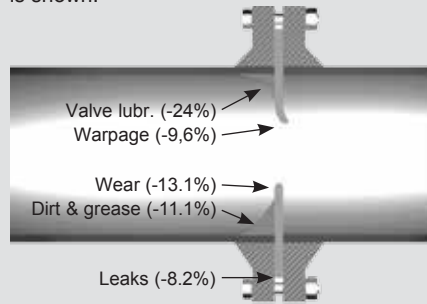
Verabar Maintains Its Accuracy

Orifice plates show long term deterioration of accuracy.

The initial accuracy of the orifice plate is $\pm 1\%$. However, long term accuracy deteriorates unless the plate is periodically inspected. Senior, dual chamber fittings are available to check the plate without requiring system shutdown, but such fittings are very expensive.

Orifice Plate Test Results

Florida Gas Transmission Company conducted a test to quantify various conditions which can result in inaccurate measurement. A partial list of the results is shown:



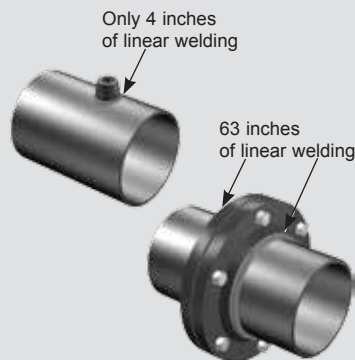
Condition	% Deviation
Wear of knife edge:	
0.010"	-2.2
0.020"	-4.5
0.050"	-13.1
Dirt and grease deposits in pipe	
	-11.1
Valve lubrication upstream:	
one side of plate	-15.8
both sides	-24.0
Leaks around plate	-8.2
Plate warpage	-9.6

Verabar Lowers Installed Costs

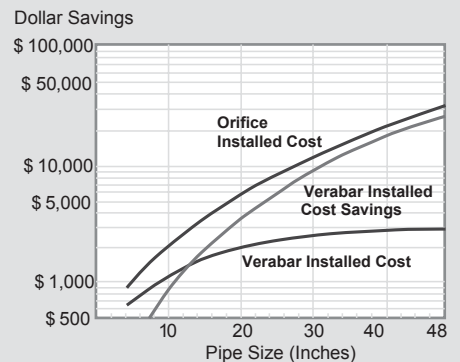
Verabar can save you more than 60% in installation costs over an orifice plate in a 10" pipe.

The graph shows the total installed cost by pipe size of the orifice plate, the Verabar, and the resultant Verabar savings. The most significant portion of the savings is the reduction in the linear inches of weld.

Savings in Weld Time



Installed Cost Savings

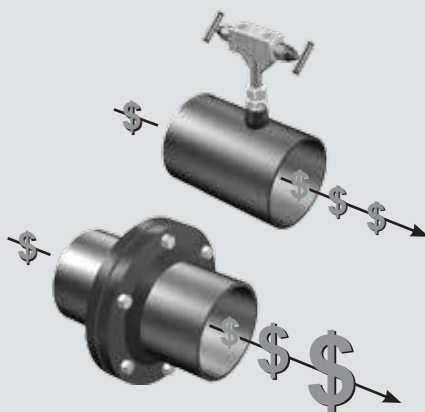


Verabar Has the Lowest Operating Costs

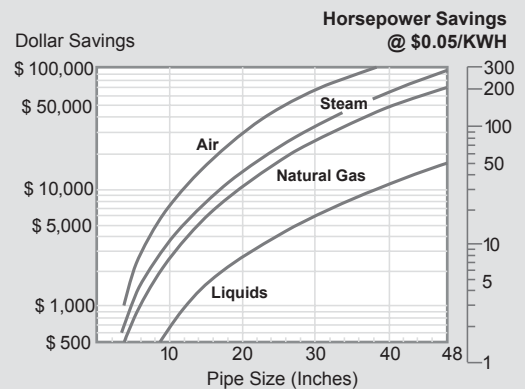
Verabar pays for itself in less than a year.

The graph shows the yearly operating cost savings and equivalent horsepower savings of the non-constricting, low permanent pressure loss Verabar compared to the extremely constricting, high permanent pressure loss orifice plate. Savings are shown for gases, liquids and steam—at typical design velocities, by pipe size.

Verabar vs. Orifice



Operating Cost Savings

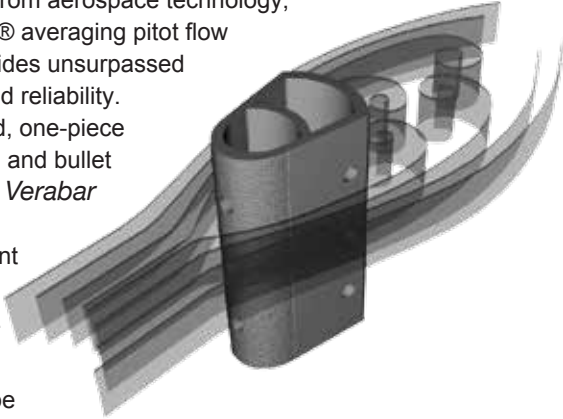


*last updated 11/15

Differential Pressure Flow Sensors

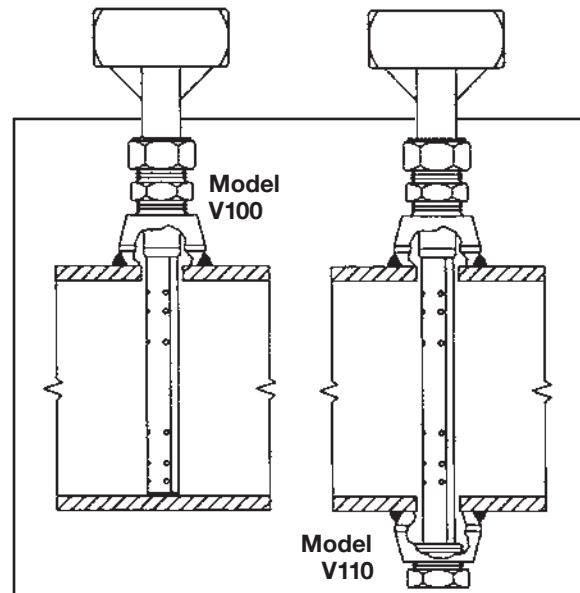
The Most Accurate and Reliable Technology for Measuring Gas, Liquid and Steam...

Developed from aerospace technology, the Verabar® averaging pitot flow sensor provides unsurpassed accuracy and reliability. With its solid, one-piece construction and bullet shape, the Verabar makes flow measurement leak proof and precise.



The unique sensor shape reduces drag and flow induced vibration. The location of the low-pressure ports eliminates the potential for clogging and improves signal stability.

V100 & V110 Compression Fitting



V100 Single Support V110 Opposite Support	
Pipe Connection	Threaded (NPT)
Mounting Type	Tube fitting
Features and Benefits	<ul style="list-style-type: none"> • Most cost effective model • Installed in less than one hour • Low and medium pressures
Applications	<ul style="list-style-type: none"> • Pipes (steel, PVC, FRP, copper) • Air (compressed, combustion) • Natural gas • Stack/flue gas • Water (raw, cooling, feedwater) • Low pressure steam • Non-hazardous fluids
Special Designs—Consult Factory	<ul style="list-style-type: none"> • Custom mounting, lengths, materials, instrument connections, etc. • Short straight run

Temperature Pressure Limits (ANSI Class)*
300#
740 psig @ 100°F (51.0 Bars @ 38°C)
410 psig @ 800°F (28.3 Bars @ 426°C)
600#
1440 psig @ 100°F (99.3 Bars @ 38°C)
825 psig @ 800°F (56.9 Bars @ 426°C)

Model Specifications	V100 and V110	
Sensor Code	05	10
Sensor Diameter	7/16" (11mm)	7/8" (22mm)
Accuracy	±1% of flow rate; ±0.5% if calibrated	
ANSI Class*	600#	300#
Pipe Size	2"-6" (50mm-150mm)	6"-48" (150mm-1200mm)
Instrument Connection	1/2" NPT	1/2" NPT or Direct Mount
Components Furnished	Weld coupling, tube fitting; V110 includes additional weld coupling and plug	
Weld Coupling Size	3/4" NPT	1" NPT



* DIN and JIS flanges available. Consult factory.

*last updated 11/15