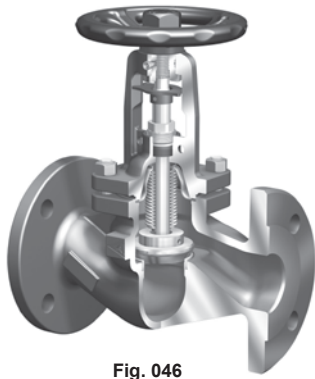
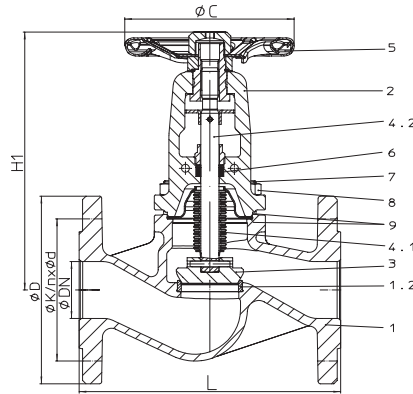


**Stop Valve with Bellows Seal**
**Fig. 046**

**Fig. 046**

**Features**

- Double wall bellows seal as standard
- Plug with marginal seat
- Stem with fine thread
- Flat lubricating nipple
- Locking device, countersunk
- Cast iron variations with nodular iron bonnet as standard
- Heat dissipating bonnet
- Bonnet optimised for accessories
- Secondary sealing: gland packing
- Position indicator as standard
- Non-rising handwheel
- Non-rotation lock for each nominal diameter
- External stem thread
- Stem with roll hardened thread

**Selection of possible flow media**

Steam, gases, hot water, thermal fluids, hot oil, process water, vacuum facilities, ammonia etc. (other flow media on request)

Figure	Nom. pressure	Material	Nom. diameter
12.046	PN16	EN-JL1040	DN15-300
22.046	PN16	EN-JS1049	DN15-350
	Test: • DIN DVGW-Reg. DG-4313AO 0772		
23.046	PN25	EN-JS1049	DN15-150
34.046	PN25	1.0619+N	DN200-400
	Test: • DIN DVGW-Reg. DG-4314AO 0777		
35.046	PN40	1.0619+N	DN15-250
	Test: • DIN DVGW-Reg. DG-4314AO 0778		

**Dimensions**

	DN	15	20	25	32	40	50	65	80	100	125	150	200	250	300	350	400
L	(mm)	130	150	160	180	200	230	290	310	350	400	480	600	730	850	980	1100
H1	(mm)	205	205	210	210	225	230	245	265	365	395	430	550	720	775	975	1015
ØC (PN16)	(mm)	125	125	125	125	150	150	175	175	225	300	400	520	520	520	640	640
ØC (PN25)	(mm)	125	125	125	125	150	150	175	175	300	300	400	520	520	520	640	640
ØC (PN40)	(mm)	125	125	125	125	150	150	175	225	300	300	400	520	520	--	--	--
Travel	(mm)	6	6	8	8	13	13	16	20	25	32	40	50	70	80	90	100
Kvs-value	(m³/h)	5.3	7.2	12	16	28.5	43	75	105	170	270	405	675	1090	1460	2010	2640
Zeta-value	--	2.9	4.9	4.3	6.5	5	5.4	5.1	5.9	5.5	5.3	4.9	5.6	5.2	6.1	5.9	5.9

**Material**

Pos.	Description	Fig. 12.046	Fig. 22. / 23.046	Fig. 34. / 35. 046
1	Body	EN-JL1040, EN-GJL-250	EN-JS1049, EN-GJS-400-18U-LT	GP240GH+N, 1.0619+N
1.2	Seat ring	X20Cr13+QT, 1.4021+QT		
2	Bonnet	EN-JS1049, EN-GJS-400-18U-LT		
3	Plug *	≤ DN200: X20Cr13+QT, 1.4021+QT (hardened) / ≥ DN250: P265GH, 1.0425 / G19 9 Nb Si, 1.4551		
4.1	Bellows seal	X6CrNiMoTi17 12 2, 1.4571		
4.2	Stem	X20Cr13+QT, 1.4021+QT		
5	Handwheel *	≤DN125: St (cataphoretic coating) / ≥DN150: EN-JL1040, EN-GJL-250 (epoxy-coating)		
6	Packing ring	Pure graphite		
7	Hexagon bolt	5.6	--	
7	Stud	--	25CrMo4, 1.7218	
8	Hexagon nut	--	C35E, 1.1181	
9	Gasket *	Pure graphite (CrNi laminated with graphite)		

**Pressure Temperature Ratings**

Material	PN		-60°C to <-10°C	-10°C to 120°C	150°C	200°C	250°C	300°C	350°C	400°C	450°C
EN-JL1040	16	(bar)	--	16	14.4	12.8	11.2	9.6	--	--	--
EN-JS1049	16	(bar)	on request	16	15.5	14.7	13.9	12.8	11.2	--	--
EN-JS1049	25	(bar)	on request	25	24.3	23	21.8	20	17.5	--	--
EN-JS1049	40	(bar)	on request	40	38.8	36.8	34.8	32	28	--	--
Material	PN		-60°C to <-10°C	-10°C to 120°C	150°C	200°C	250°C	300°C	350°C	400°C	450°C
1.0619+N	25	(bar)	18.7	25	23.9	22	20	17.2	16	14.8	8.2
1.0619+N	40	(bar)	30	40	38.1	35	32	28	25.7	23.8	13.1
1.0460	25	(bar)	18.7	25	23.9	22	20	17.2	16	14.8	10
1.0460	40	(bar)	30	40	38.1	35	32	28	25.7	23.8	16

\*last updated 10/16